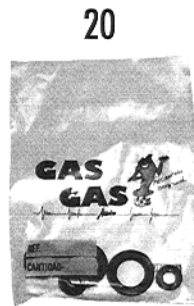
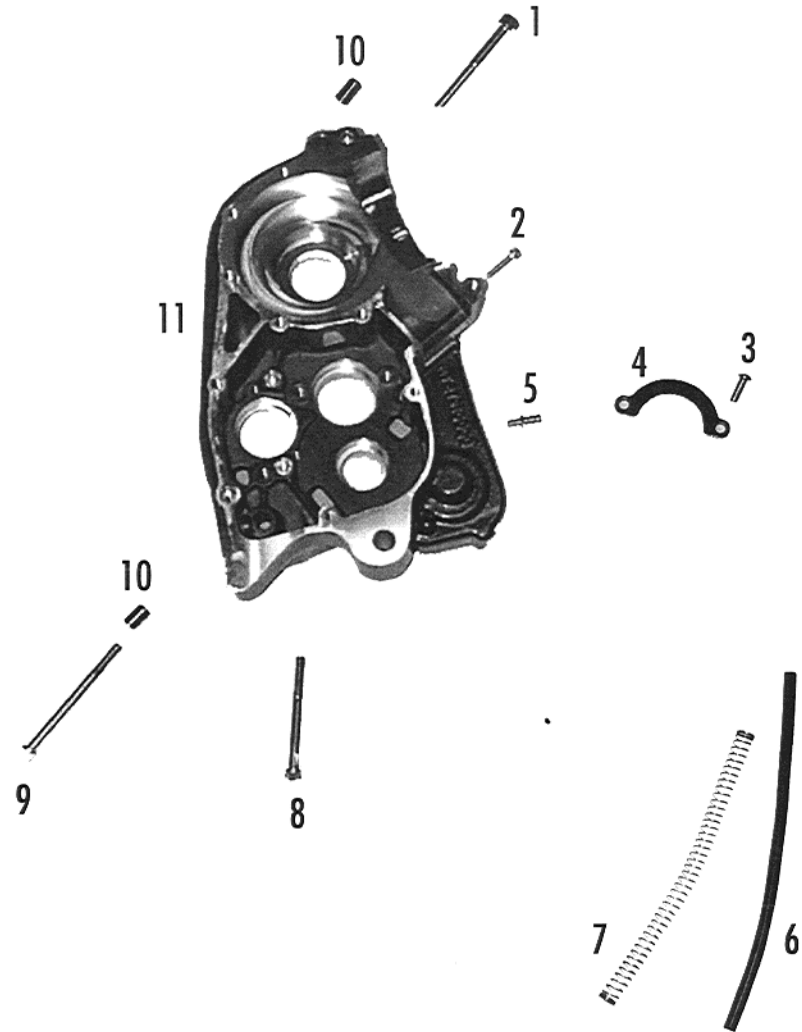
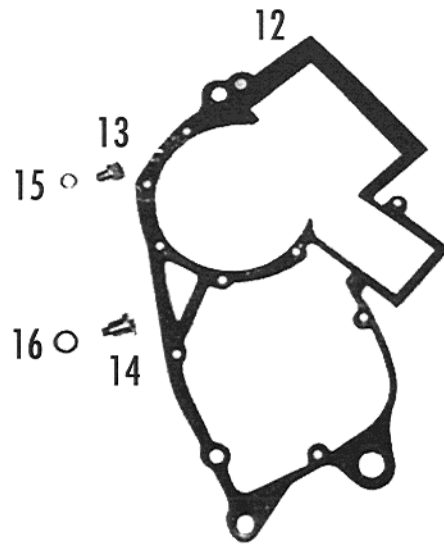
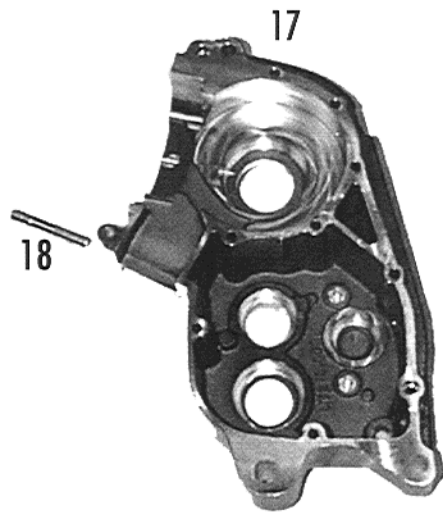


Carter / Crankcase



249 cc. / 280 cc. / 321 cc.

Nº	DESCRIPCION	280cc.	125cc.	200cc.	249cc.	321cc.	Cant.
1	Allen 6x50 DIN 912 cárter / <i>Screw, bolt allen 6x50</i>	T0306050			T0306050	T0306050	4
2	Allen 6x25 / <i>Screw, bolt allen 6x25</i>	T0306025			T0306025	T0306025	1
3	ULS 6x16 / <i>Screw, bolt ULS 6x16</i>	T0506016			T0506016	T0506016	2
4	Platina primario / <i>Plate, kickstart</i>	M02628001			M02628001	M02628001	1
5	Desvaporizador cárter / <i>Breather crankcase</i>	M01032001			M01032001	M01032001	1
6	Tubo sobrante rad. 5x8 / <i>Tube, breather 5x8</i>	G460000			G460000	G460000	1
7	Muelle desvaporizador / <i>Spring breather</i>	M150000			M150000	M150000	1
8	Allen 6x70 8.8 Cárter / <i>Screw, bolt allen 6x70</i>	T0306070			T0306070	T0306070	5
9	Allen 6x80 DIN 912 cárter / <i>Screw, bolt allen 6x80</i>	T0306080			T0306080	T0306080	1
10	Casq. Centr. cárter 6x9x14 / <i>Bushing centralize crankcase</i>	M01017000			M01017000	M01017000	2
11	Cárter derecho gris plata / <i>Crankcase, right grey silver</i>	MT280010000			MT280010000	MT280010000	1
12	Junta cárter 0.3 / <i>Crankcase gasket</i>	MT27944001			MT27944001	MT27944001	1
13	Allen 8x20 / <i>Screw, bolt allen 8x20</i>	T0308020			T0308020	T0308020	1
14	Tapón vaci. aceite con imán / <i>Empty cap oil with magnet</i>	M01016005			M01016005	M01016005	1
15	Arandela cobre 8x12 / <i>Washer copper 8x12</i>	M01033000			M01033000	M01033000	1
16	Arandela cobre 12x18x1.5 / <i>Washer copper 12x18x1.5</i>	ME25810030			ME25810030	ME25810030	1
17	Cárter izquierdo gris plata / <i>Crankcase, left grey silver</i>	MT280010001			MT280010001	MT280010001	1
18	Eşpárrago cilindro largo / <i>Stud,blot cylinder</i>	M01612003			M01612003	M01612003	4
19	Kit juntas trial y pampera / <i>Kit gaskets trial and pampera</i>	MT27944100			MT27944100	MT27944100	1
20	Cto.retenes trial / <i>Cpt. oil seal trial</i>	MT27944200			MT27944200	MT27944200	1