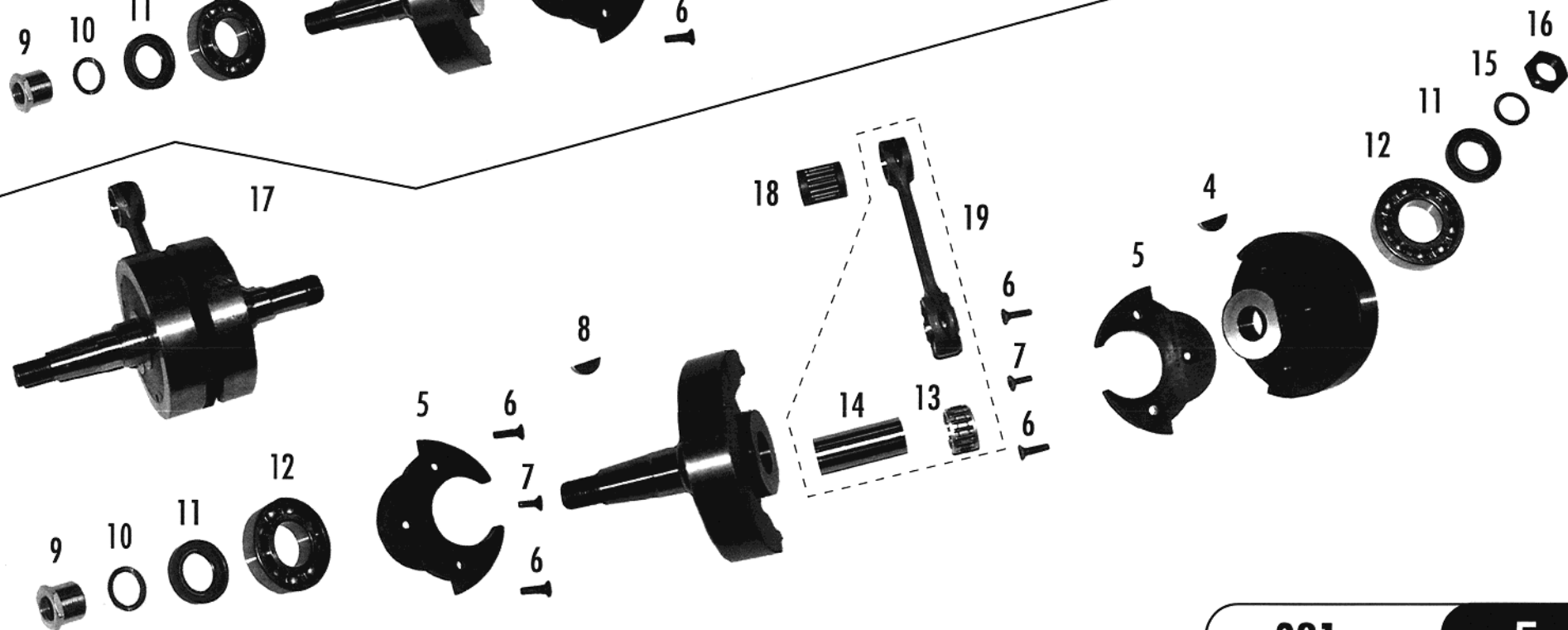
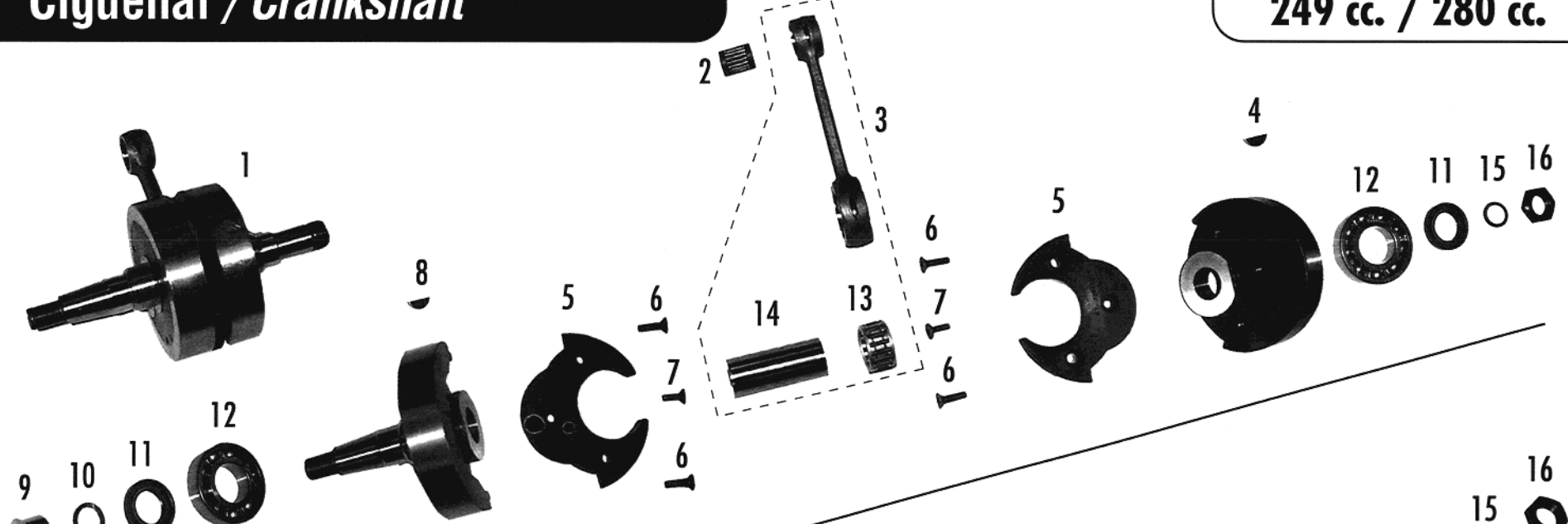


# Cigüeñal / Crankshaft

249 cc. / 280 cc.



321 cc.

5

Nº	DESCRIPCION	280cc.	125cc.	200cc.	249cc.	321cc.	Cant.
1	Cto.cigüeñal 250-270 trial / <i>Cpt.crank shaft assembly</i>	MT27912000			MT27912000		1
2	Cojinete agujas pie biela 16x20x23 / <i>Small end bearing</i>	M01411100			M01411100		1
3	Cto. biela 249-270 / <i>Cpt. con rod assembly</i>	MT27812100			MT27812100		1
4	Chaveta piñón contrapeso / <i>Key. Counterweight pinion</i>	M01223000			M01223000	M01223000	1
5	Nylon contrapeso / <i>Counterweight nylon</i>	MT32912021			MT32912021	MT32912021	2
6	Torn. Con. 6x20 / <i>Screw, bolt con. 6x20</i>	T0406020			T0406020	T0406020	4
7	Torn. Con. 6x16 / <i>Screw, bolt con. 6x16</i>	T0406016			T0406016	T0406016	1
8	Chaveta volante / <i>Key. Ignition</i>	M01224000			M01224000	M01224000	1
9	Tuerca volante / <i>Nut ignition</i>	M01222000			M01222000	M01222000	1
10	Arandela volante magnético / <i>Washer ignition magn.</i>	M01221000			M01221000	M01221000	1
11	Reten cigüeñal 25-40-8 AAFP / <i>Oil seal crank shaft</i>	M01217001			M01217001	M01217001	2
12	Cojinete cigüeñal 6206 C3 / <i>Bearing crank shaft</i>	M01216001			M01216001	M01216001	2
13	Cojinete cabeza biela 24x30x16.8 / <i>Bearing big end</i>	M01415001			M01415001	M01415001	1
14	Bulon cigüeñal / <i>Crank shaft pin</i>	M01414001			M01414001	M01414001	1
15	Arandela estriada intr. D.20 / <i>Washer pinion crank shaft</i>	M01219000			M01219000	M01219000	1
16	Tuerca piñón contrapeso / <i>Nut pinion crank shaft</i>	M01220000			M01220000	M01220000	1
17	Cto. Cigüeñal 321 trial / <i>Cpt. crank shaft assembly 321</i>					MT32912000	1
18	Cojinete agujas pie biela 20x24x29.5 / <i>Small end bearing</i>					M01411000	1
19	Cto. Biela 321 / <i>Cpt. crank shaft assembly</i>					M01218002	1