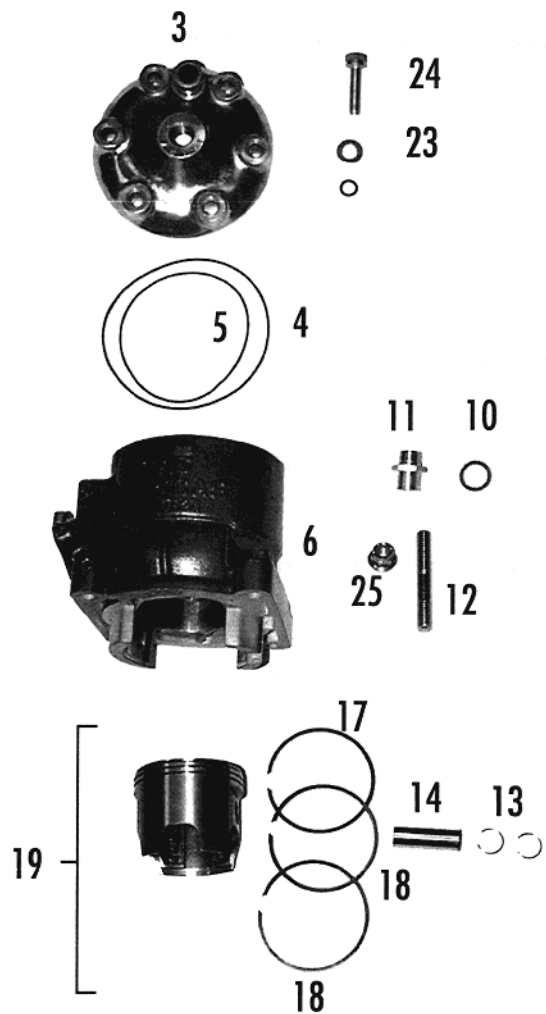
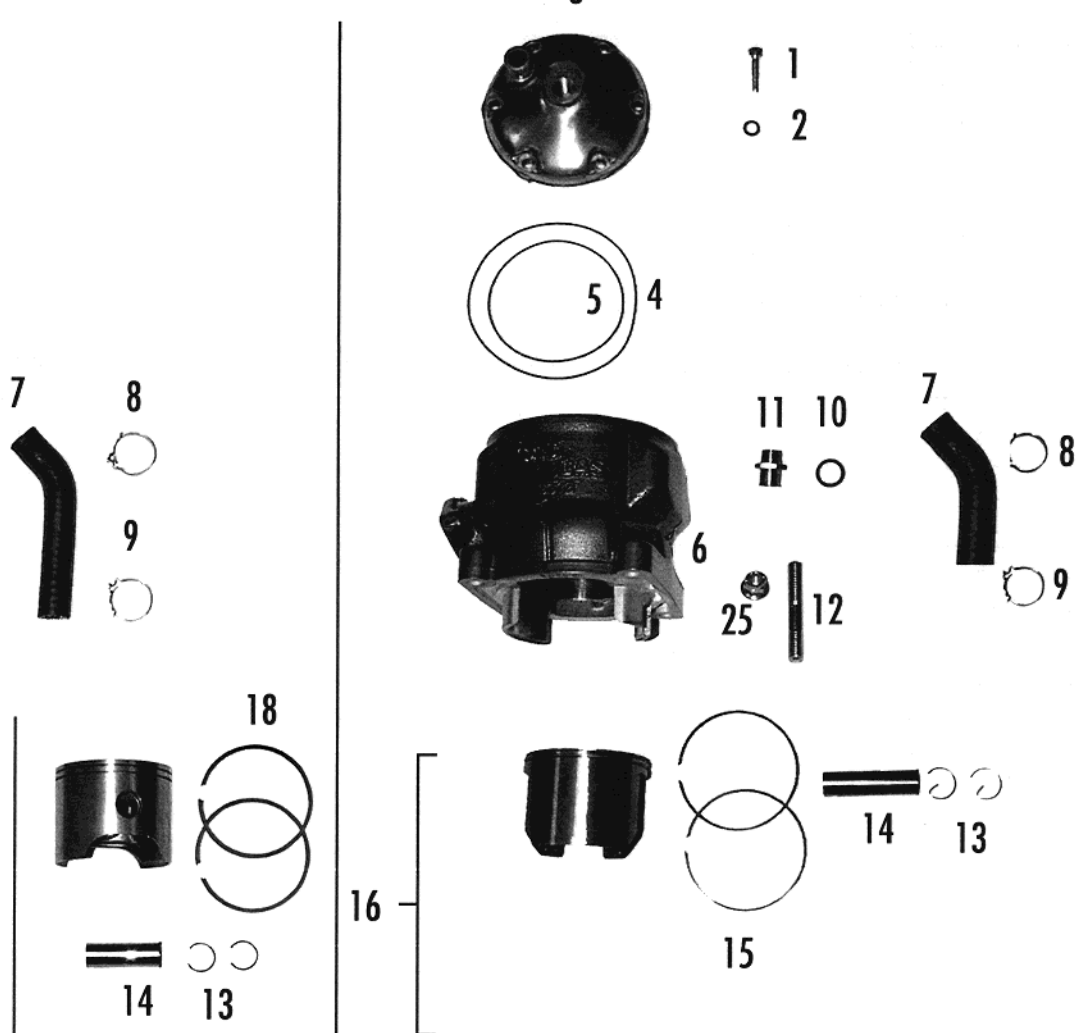


Cilindro / Cylinder



249 cc.



280 cc.

321 cc.

Nº	DESCRIPCION	280cc.	125cc.	200cc.	249cc.	321cc.	Cant.
1	Allen 6x25 / screw, bolt allen 6x25					T0306025	6
2	Arandela cobre / Copper washer					T4006713	6
3	Culata trial / Cyl. Head	MT280116000			MT250116000	MT320016000	1
4	Torica culata / O'ring cyl. Ext.	MT27816060			MT27816060	M01619211	1
5	Torica culata interior / O'ring cyl. Int.	M01619215			M01619215	M01619216	1
6	Cilindro / Cylinder	MT280016022			MT250016022	MT320016022	1
7	Tubo radiador-cilindro / Cylinder-radiator water tube	BT27832007			BT27832007	BT27832007	1
8	Abrazadera cobre de 19 / Clamp, clip	L200043			L200043	L200043	1
9	Abrazadera cobre de 20 / Clamp, clip	L200035			L200035	L200035	1
10	Arandela fibra 14x20x2 racord / Washer fibre	M01612026			M01612026	M01612026	1
11	Racord cilindro / Racord cylinder	M01612021			M01612021	M01612021	1
12	Espárrago cilindro largo / Stud, bolt cylinder	M01612003			M01612003	M01612003	4
13	Clip pistón / Clip piston	MT280016126			M01417051	M01417050	2
14	Bulon pistón / Pin. Piston	MT280016125			M01419001	M01419004	1
15	Aro pistón tipo L / Piston ring type L					M01417000	2
16	Conjunto pistón / Cpt. piston					M01410103	1
17	Aro pistón tipo L / Piston ring tipe L				MT25916240		1
18	Aro pistón tipo plano / Piston ring plane	MT280016241			MT25916241		2
19	Conjunto pistón* / Cpt. piston*	MT280016020			MT25916020		1
20	Junta cilindro 0.1 mm. / Gasket cylinder	MT27844010			MT27844010	MT27844010	1
21	Junta cilindro 0.3 mm. / Gasket cylinder	MT27844009			MT27844009	MT27844009	1
22	Junta cilindro 0.5 mm. / Gasket cylinder	MT27844000			MT27844000	MT27844000	1
23	Arandela cobre 6x12 / Washer copper	T4006713			T4006713		6
24	Allen 6x25 / Screw, bolt allen 6x25	T0306025			T0306025		6
25	Tuerca cilindro M10/150 / Cylinder nut	M01613001			M01613001	M01613001	4
	* pistón tipo B / B type piston	MT280016121					1
	* pistón tipo C / C type piston	MT280016122					1
	* pistón tipo D / D type piston	MT280016123					1